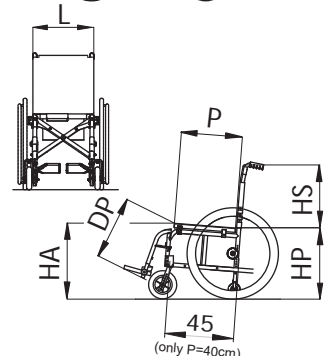


Dealer

EUROPA



Key	<input type="checkbox"/> standard	<input type="radio"/> option	Quantity Nr. pieces
L Seat width <input type="checkbox"/> 38 <input type="checkbox"/> 40 <input type="checkbox"/> 42 <input type="checkbox"/> 44 <input type="radio"/> 46 <input type="radio"/> 48 <input type="radio"/> 50 P Seat depth <input type="checkbox"/> 38 <input checked="" type="checkbox"/> 40 <input type="checkbox"/> 42 <input type="checkbox"/> 44 HS Back-rest height <input type="checkbox"/> 37 <input type="checkbox"/> 39 <input type="checkbox"/> 41 <input type="checkbox"/> 43 HA Front seat/floor height <input type="checkbox"/> 48 <input checked="" type="checkbox"/> 50 <input type="checkbox"/> 52 HP Rear seat/floor height <input type="checkbox"/> 45 <input checked="" type="checkbox"/> 47 <input type="checkbox"/> 50 DP Foot-rest/seat distance <input type="checkbox"/> 37 <input type="checkbox"/> 39 <input type="checkbox"/> 41 <input type="checkbox"/> 43 <input type="checkbox"/> 45 <input type="checkbox"/> 47 <input type="checkbox"/> 49 cm			
Frame colour <input type="radio"/> 1 Metallic grey	Upholstery <input type="radio"/> 2 <input type="checkbox"/> Nylon <input type="radio"/> Tension adj. nylon back-rest <input type="radio"/> Tension adj. breathable back-rest	<input type="checkbox"/> Without back-rest <input type="checkbox"/> Without seat	

<input type="checkbox"/> Detachable foot-rests with plastic foot-plates and heel stops <input type="radio"/> 3 <input type="radio"/> Foot-holding belts	<input type="radio"/> Elevating detachable foot-rests with plastic foot-plates and heel stops <input type="radio"/> 4 <small>(only P = 38 or 40 cm)</small> <input type="radio"/> Foot-holding belts	Single drive <input type="radio"/> 5 <input type="radio"/> Right <input type="radio"/> Left
---	---	--

Features

- Aluminium folding frame;
- Aluminium double cross bar;
- Nylon fireproof upholstery;
- Quick-release rear wheels;
- Tilt adjustable foot-plates;
- Heel stops;
- Adjustable rear wheel plate;
- Tilt adjustable front fork plate;
- Height adjustable back-rest;
- Unbalancing pedals;
- Weight w40xd40xh37 cm : 15,9 kg.

<input type="checkbox"/> Detachable Sport tip-up arm-rest h 22 cm <input type="radio"/> 6 <input type="checkbox"/> Closed <input type="checkbox"/> Open with side guards Elbow-rest <input type="checkbox"/> Classic (23 cm long) <input type="checkbox"/> Straight (26 cm long) <input type="checkbox"/> Hemiplegic RX <input type="checkbox"/> Hemiplegic LX	<input type="radio"/> Detachable "U" tip-up arm-rest h 22 cm <input type="radio"/> 7 <input type="checkbox"/> Closed <input type="checkbox"/> Open with side guards Elbow-rest <input type="checkbox"/> Straight (26 cm long) <input type="checkbox"/> Straight (36 cm long) <input type="checkbox"/> Hemiplegic RX <input type="checkbox"/> Hemiplegic LX	Detachable height adjustable tip-up arm-rest <input type="radio"/> 8 <small>(only closed)</small> <input type="checkbox"/> Sport <input type="checkbox"/> "U" Appoggia gomito <input type="checkbox"/> Classic (23 cm long) <input type="checkbox"/> Classic (30 cm long) <input type="checkbox"/> Straight (26 cm long) <input type="checkbox"/> Straight (36 cm long) <input type="checkbox"/> Hemiplegic RX <input type="checkbox"/> Hemiplegic LX
---	---	--

Rear wheels <input type="radio"/> 9 <input type="checkbox"/> 24" <input type="checkbox"/> 22" <input type="checkbox"/> 20" Tyres <input type="checkbox"/> Pneumatic plugged <input type="checkbox"/> Solid	Handrims <input type="radio"/> 10 <input type="checkbox"/> Aluminium silver <input type="checkbox"/> Rubber coated <input type="checkbox"/> Tween Greep (*) <input type="checkbox"/> Max Grepp <input type="checkbox"/> Max Grepp Ergo <input type="checkbox"/> Silicon covers <small>(*) only for 24" and 22" wheels</small>	Spoke guards <input type="radio"/> 11 <input type="checkbox"/> Transparent <input type="checkbox"/> White <input type="checkbox"/> Black <input type="checkbox"/> Multicolour <input type="checkbox"/> Black plumed red <input type="checkbox"/> Black plumed blue <input type="checkbox"/> Black plumed green <input type="checkbox"/> Alphabet	Front castors <input type="radio"/> 12 <input type="checkbox"/> 150 (6"x1.3/8) solid <input type="checkbox"/> 150 (6"x1.1/4) pneum. <input type="checkbox"/> 175 (7"x1) solid <input type="checkbox"/> 175 (7"x1.3/4) pneum. <input type="checkbox"/> 175 (7"x1.3/4) solid
--	---	---	--

Options

- 17 "M" velcro strip (hook) on seat
- 18 "F" velcro strip (loop) on seat
- 19 Seat/back-rest connecting flap
- 20 WC seat
- 21 Padded rigid seat
- 22 Chest harness
- 23 Chest belt
- 24 Abductor belt
- 25 Catheter holder pocket
- 26 Hinged back-rest
- 27 Back anatomic board
- 28 Rx Lx Crutch holder
- 28 Rx Lx Duple crutch holder
- 29 Pump for pneumatics
- 30 45° pelvic belt
- 31 45° padded pelvic belt
- 32 Black holdall
- 34 Umbrella holder
- 35 Lined cushion, h 3cm high
- 36 Lined cushion, h 5cm high

<input type="checkbox"/> Extended wheel plate <input type="radio"/> 13 <small>(only HP=47 or 50 cm)</small> 	Table <small>(only with arm-rests)</small> <input type="radio"/> 14 <input type="checkbox"/> Transparent <input type="checkbox"/> Rx <input type="checkbox"/> Lx Hemiplegic transp. <small>(not for height adjustable arm-rests)</small> <input type="checkbox"/> Plastic grey <input type="checkbox"/> Soft padded Specify the fastening: <input type="checkbox"/> Single <input type="checkbox"/> Double <small>(the double fastening is compulsory with height adjustable arm-rests)</small>	Anti-tip device <input type="radio"/> 15 <small>(only HP=47 or 50 cm)</small> <input type="checkbox"/> Right <input type="checkbox"/> Left	<input type="checkbox"/> Small wheels for narrow passages <input type="radio"/> 16 <input type="checkbox"/> Without small wheels for narrow passages
---	--	--	--

Notes _____